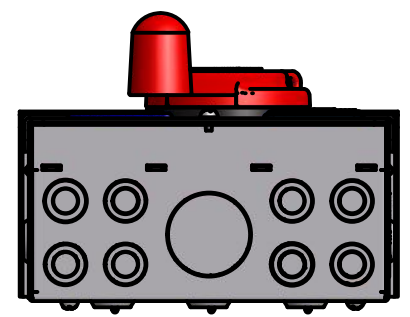
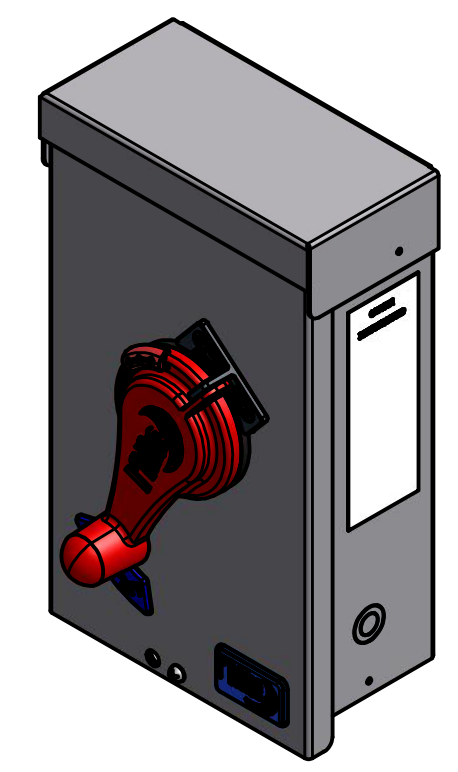
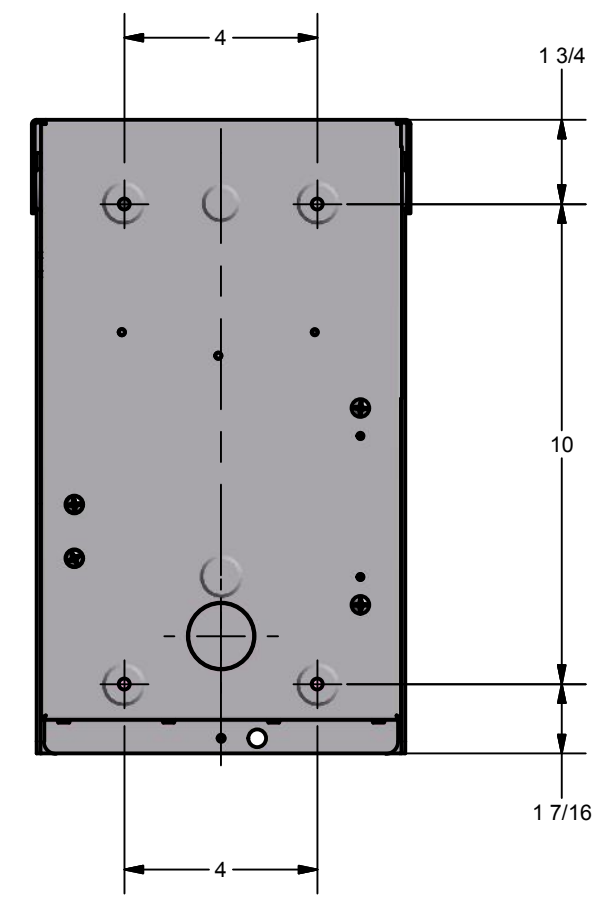
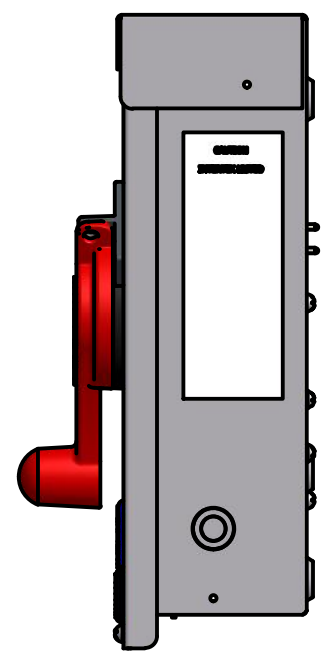
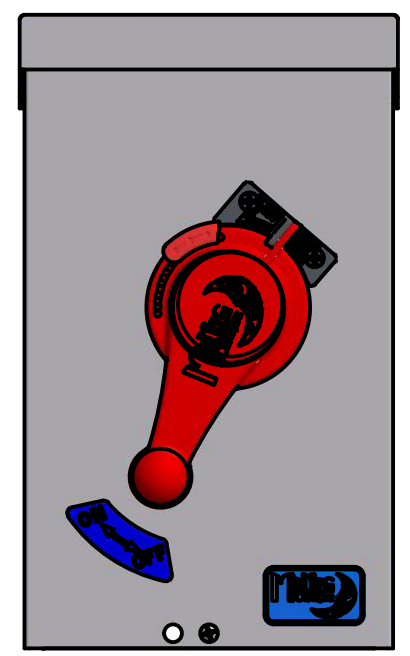
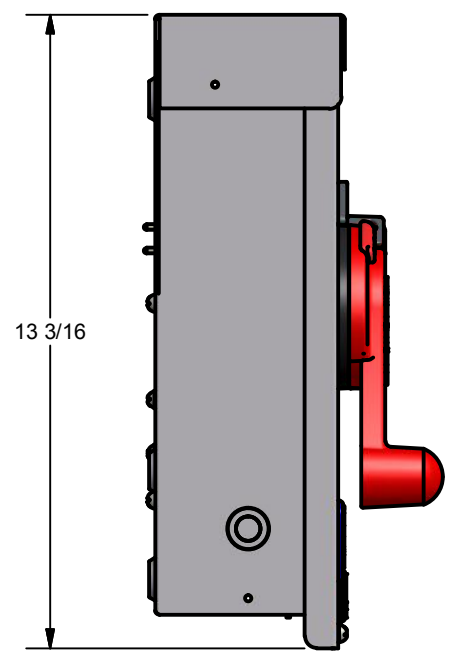
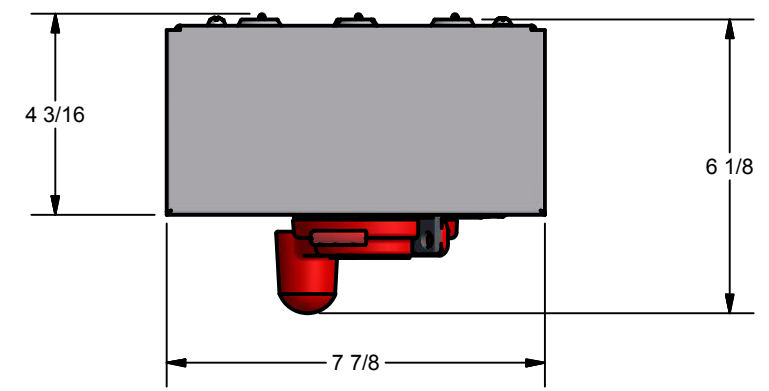


REVISION HISTORY			
REV.	DESCRIPTION OF CHANGE	DATE	SIGN



<b>ALL TOLERANCES, UNLESS OTHERWISE STATED:</b> x.xxx= +/-0.005" x.xx= +/-0.01" x.x= +/-0.05" <b>ALL ANGLES = +/- 1° UNLESS OTHERWISE STATED</b>	
MATERIAL:	STANDARDS:
FINISH:	
PROCESS:	

DRAWN Bob Q	6/20/2011
CHECKED	
QA	
MFG	
APPROVED	

TITLE <b>MNPV6 DISCO</b>			
SIZE B	PROJECT: MNPV6 DISCO	DWG NO MNPV6	REV A
E-FILE: MNPV6 DISCO.iam			SHEET 5 OF 5