

S-5![®]

The Right Way!

The right way to attach almost anything to metal roofs!

Installation Instructions

S-5![®] Warning! Please use these products responsibly! Visit our website or contact your S-5! distributor for available load test results. The user and/or installer of these parts is responsible for all necessary engineering and design to ensure the S-5! brackets have been properly spaced and configured. **Notice to S-5! users:** Due to the many variables involved with specific panel products, climates, snow melt phenomena, and job particulars, the manufacturer cannot and does not express any opinions as to the suitability of any S-5! assembly for any specific application and assumes no liability with respect thereto. S-5! products are tested for ultimate holding strength on various profile types and materials. Visit www.S-5.com for more details. This document is an installation guide only and the photographs and drawings herein are for the purpose of illustrating installation, tools and techniques, not system designs. Read entire install instructions prior to installation.

RibBracket™ I, II, III, & IV are made for trapezoidal exposed fastened metal roofs.

Visit www.S-5.com for more details.

General Information

Each RibBracket is designed to flex to fit a range of trapezoidal exposed fastened profiles. See the RibBracket fit chart (next page) to determine the correct bracket for your roof.

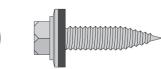
If a fastener has been stripped, it is important to remove the fastener and replace it with a bulb-tite rivet or larger diameter fastener. To avoid stripping, use screw gun with depth-sensing nose piece or adjustable torque clutch.

Tools Needed

- Screw Gun*
- Rag
- String Line
- Tape Measure

***For time saving tool recommendations contact S-5!**

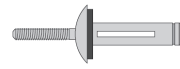
RibBrackets I, II, III, & IV are mounted directly onto the crown of the trapezoidal sheet using the **provided** special stainless steel head screws. Bulb-tite rivets (**not provided**) can also be used if the fastener has been over-driven, stripping the hole.



Screw Specifications

1/4" (6.3mm) Diameter - 1" (25mm) Length - 5/16" (8 mm) Hex head with rubber sealing washer

Provided



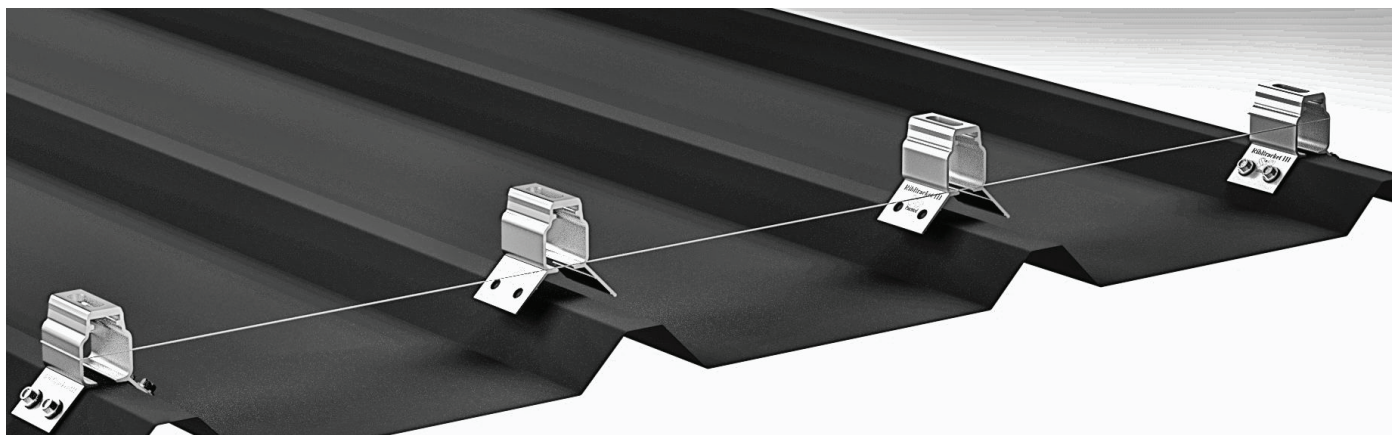
Not Provided

Rivet Specifications

(not for standard installation)
9/32" (7.7mm) Diameter - Alu/Alu Flat Head
Bulb-Tite Rivet with 5/8" (16mm) EPDM Washer
Grip: 0.032" / 0.8 mm - 9.5 mm

RibBracket™ Placement Tips

To ensure brackets are installed in a straight line when desired, install a single RibBracket on each end of the roof at a measured, consistent distance from the bottom edge or ridge of the roof. Use a string line between the two brackets. Mount the remaining RibBrackets along the string line. Do not remove the weather-proofing rubber gasket. For upslope bracket placement techniques reference the S-5! website at www.S-5.com.

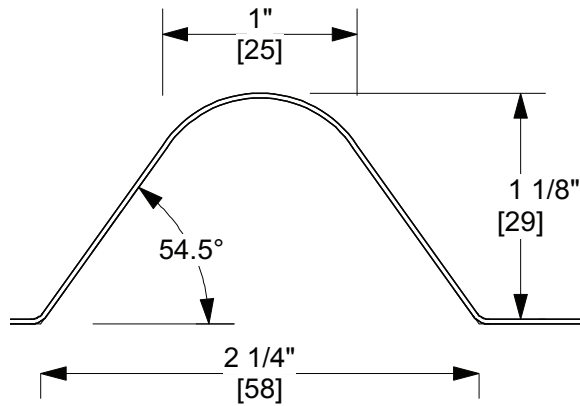


These instructions are for use by those experienced in the trade. Always follow appropriate safety precautions and use appropriate tools.

RibBracket™ I, II, III, & IV Installation Instructions

RibBracket™ I

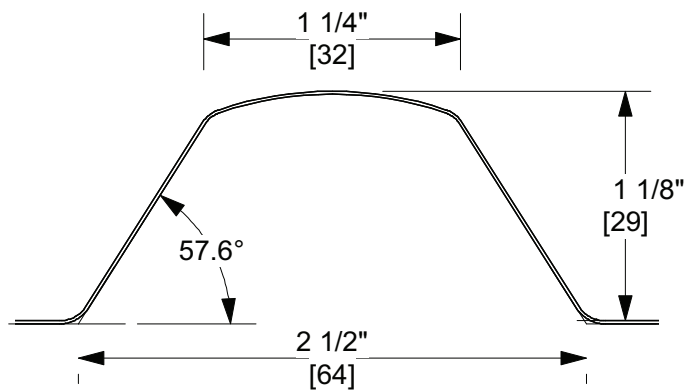
Fits popular Hawaiian profiles such as HPM Custom 4-Rib, HPM Custom 6-Rib, and other similarly dimensioned profiles (see table below).



Top Dim (in)	Bot Dim (in)	Height (in)	Angle (°)	
5/8	2 5/8	1 1/8	49	
3/4	3 1/2	1 3/8	45	
1	2 1/4	1 1/8	55	SHOWN

RibBracket™ II

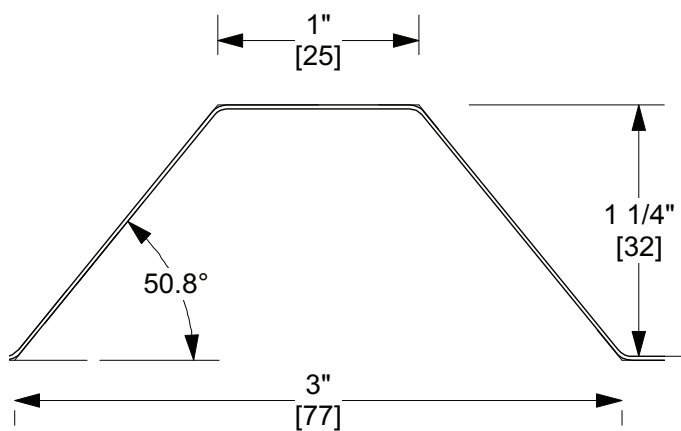
Fits popular African and Australasian profiles such as Lysaght Trimdek 1015, Safintra Trimflute 1015, and other similarly dimensioned profiles (see table below).



Top Dim (in)	Bot Dim (in)	Height (in)	Angle (°)	
1	2 1/2	1	56	
1 1/8	2 1/4	1 1/8	59	
1	2 5/8	1 1/8	54	
1 1/4	2 1/2	1 1/8	58	SHOWN

RibBracket™ III

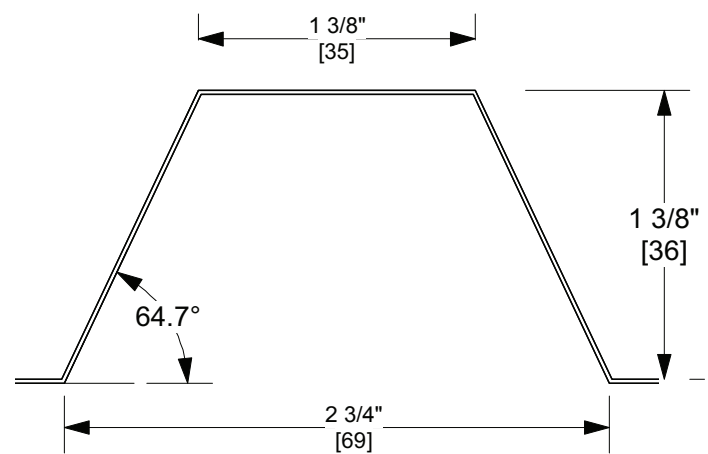
Fits popular North American and Indian profiles such as PBR-Panel, R-Panel, Kirby Roof (KR), and other similarly dimensioned profiles (see table below).



Top Dim (in)	Bot Dim (in)	Height (in)	Angle (°)	
1	3	1 1/4	51	SHOWN
1	3 1/2	1 1/4	45	
1 1/8	3 1/2	1 3/8	49	
1 1/8	3 5/8	1 1/4	45	
1 3/8	3 3/4	1 3/8	49	

RibBracket™ IV

Fits popular African and North American profiles such as Safintra IBR, KingSpan KS1000, and other similarly dimensioned profiles (see table below).



Top Dim (in)	Bot Dim (in)	Height (in)	Angle (°)	
1 3/8	2 3/4	1 3/8	65	SHOWN
1 1/4	2 1/2	1 3/8	65	

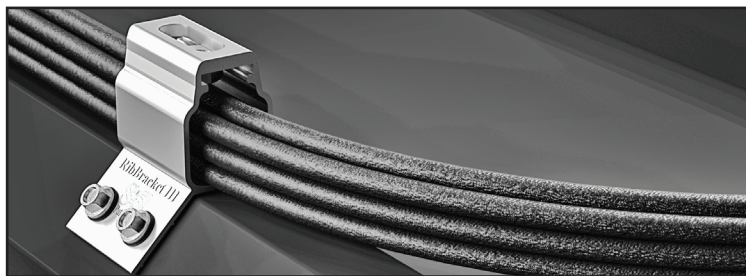
To Install RibBracket™

1. The only surface preparation necessary is to wipe away excess oil and debris (Fig. 1).

2. If the roof profile is slightly larger than the space between the legs of the bracket, it is necessary to apply pressure to the top of the bracket, pushing it down over the trapezoidal rib to expand the legs, allowing it to sit properly atop the rib (Fig. 2).

If the trapezoidal rib is slightly smaller, the legs of the bracket can be flexed inward, allowing the rubber gasket to contact the sides of the rib as fasteners are applied. When the bracket is flexed inward to fit, it is easiest to fasten one side of the bracket and then flex the opposite side into place and finish fastening.

Note: When utilizing RibBrackets for solar installations, the channel in the middle of the bracket can be used for wire management.



3. Secure the RibBracket directly into the crown of the roof profile by driving the included fasteners into the four pre-punched holes. To achieve tested holding strength, secure the RibBracket by using all four pre-punched hole locations. Drive the fastener in until it is tight and the washer is firmly seated (Fig. 3). Do not over-drive fasteners; a slight extrusion of rubber around the washer is a good visual-tightness check.

4. From either end of the RibBracket, slide the included M8-1.25 hex flange nut (flange side up) into the top groove (Fig. 4). The RibBracket is now ready to install ancillaries by using a standard M8 bolt, or the PV Stud for direct attach PV applications using the S-5! PV Kit, through the slotted top thru-hole and the previously inserted hex flange nut. For critical attachment applications utilizing an M8-1.25 X 16 mm Hex Flange Bolt, tighten the M8 bolt to 160 inch pounds (13 foot pounds OR 18 Nm).

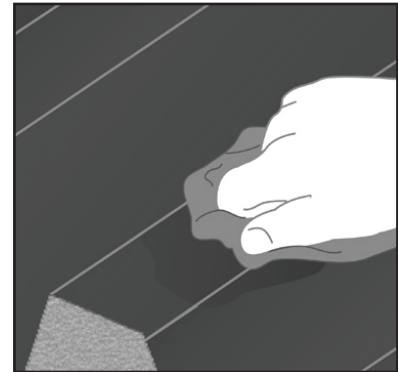


Fig. 1 Wipe panel clean



Fig. 2 Flex bracket onto profile

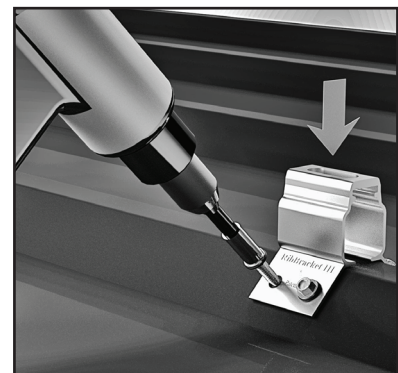


Fig. 3 Install fasteners

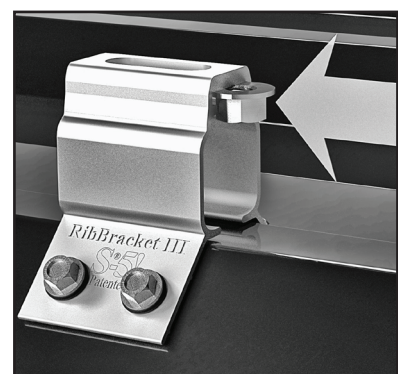


Fig. 4 Insert provided M8 nut

S-5!® Warning! Please use this product responsibly!

Products are protected by multiple U.S. and foreign patents. For published data regarding holding strength, fastener torque, patents, and trademarks, visit the S-5! website at www.S-5.com.

Copyright 2016, Metal Roof Innovations, Ltd. S-5! products are patent protected. S-5! aggressively protects its patents, trademarks, and copyrights. RB I-IV-V1.1-0617