

# LV INTELLIGENT HOUSEHOLD ENERGY STORAGE SYSTEM

## RenonEBrick

- Rack-mount design, maximum 32 units in parallel
- Allows customization and simple installation
- 10 years service life, high safety, long battery life (up to 8000 cycles)



Renon EBrick Series is a low voltage household battery storage system that is possible to store energy from photovoltaic, generator and grid after connecting to the inverter. Its rack mounted installation allows for rapid build to any home, and improved surge power capacity brings whole home backup in a compact system.

EBrick can support up to 32 systems connected in parallel, which can be perfectly adjusted for different energy usage. The Intelligent EMS platform enables users to customize system behavior and monitor the system operation.

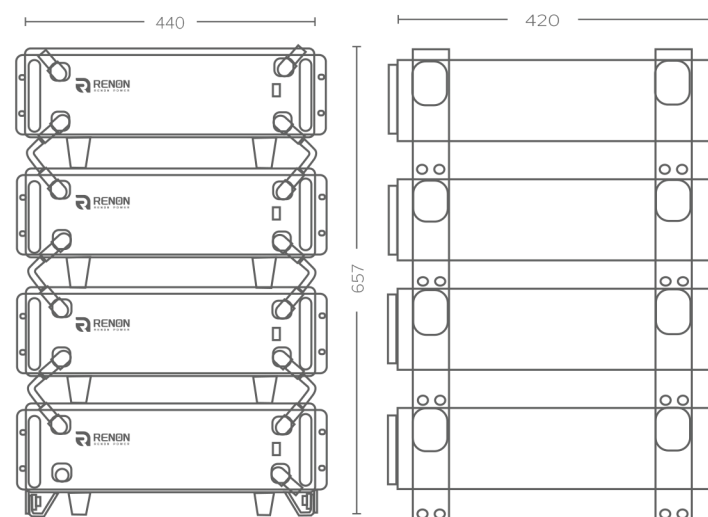
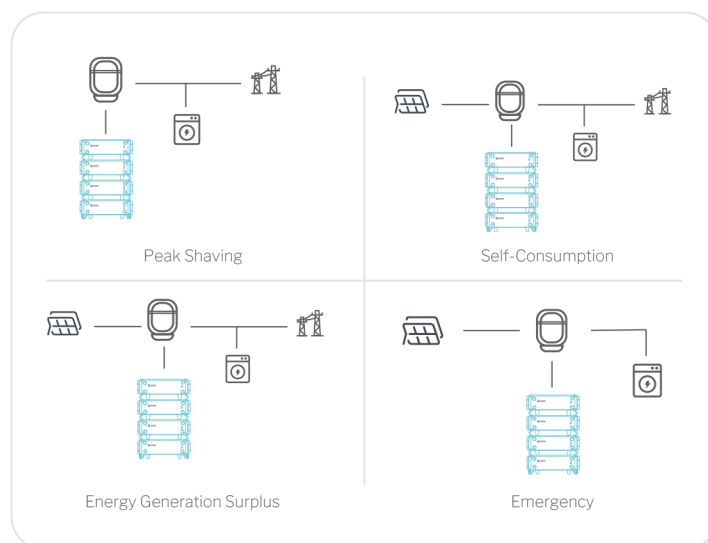
## Battery

Battery Chemistry	Lithium Iron Phosphate
Cell Capacity (Ah)	100
Nominal Energy (kWh)	5.12
Default Voltage (V)	51.2
Voltage Range (V)	43.2-58.4
Max. Operation Current (A)	95
Primary Overcurrent Protection (A)	98@10S
Secondary Overcurrent Protection (A)	120@2S
Max. Charging Voltage (V)	58.4
Discharge Cut-off (V)	43.2
Recommended Charging Voltage (V)	56.8

## General Parameters

Parallel Capacity	Maximum 32units
Dimension(W*D*H)	440*420*132mm (17.3*16.5*5.2 in)
Net Weight(Approximate)	45kg(99.2lb)
Storage Conditions	-20°C to 55°C/-4 °F to 131 °F (0°C to 35°C/32 °F to 95°F Recommended) Up to 90%RH, non-condensing Initial SoC: 50%
Operating Temperature	Discharge: -20°C to 50°C/-4°F to 122°F Charge: 0°C to 50°C/32°F to 122°F
Cooling	Natural Cooling
Max. Operating Altitude	3000 m(9843ft)
Service Life	8000 times
Communication	RS485/CAN/WiFi

## System Layout



## System Characteristic

Battery Compliances	IEC 62619, UN 38.3, UL1973, CE-RED
Installation Method	Rack Mounting
Installation Scene	Indoor
Enclosure	IP20
Warranty	10Years