



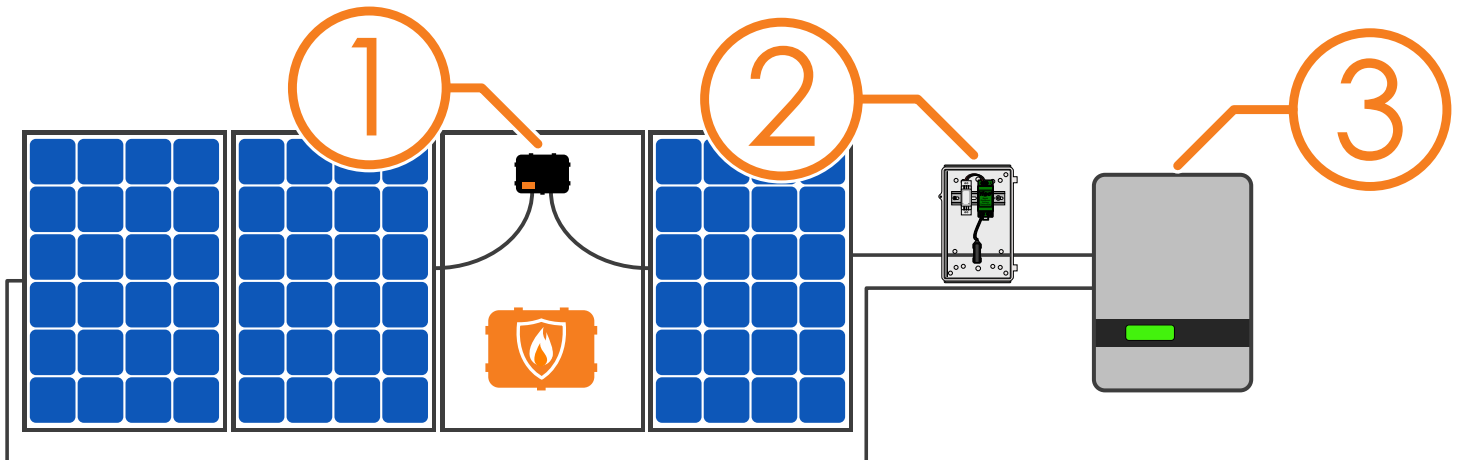
## RSS TRANSMITTER - OUTDOOR KIT

### Rapid Shutdown Activator for TS4-F

The Tigo Rapid Shutdown System (RSS) Transmitter is part of a rapid shutdown solution when paired with Tigo TS4-F (Fire Safety), a PV module rapid shutdown unit. While powered on, the RSS Transmitter sends a signal to the TS4-F units to keep their PV modules connected and supplying energy.

TS4-F units automatically enter rapid shutdown mode when the RSS Transmitter is switched off and resume energy production when power is restored to the RSS Transmitter. This solution complies with NEC 690.12 specifications for 2014, 2017, and 2020 and uses PLC signaling for rapid shutdown.

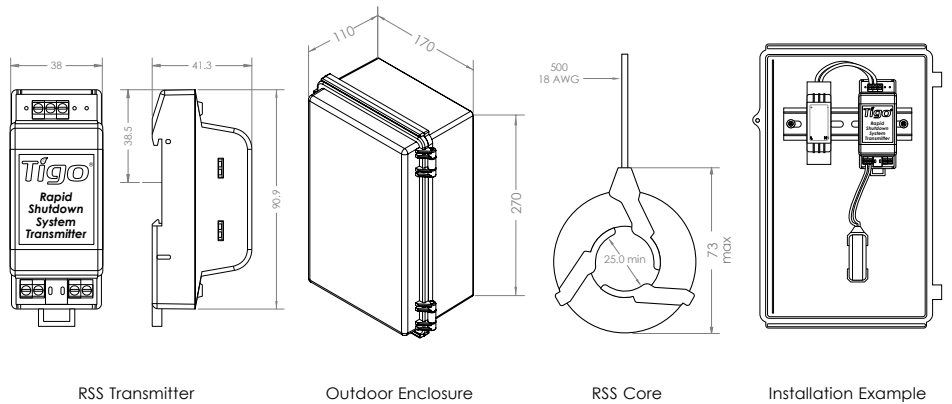
The RSS Transmitter Outdoor Kit includes an RSS Transmitter, outdoor enclosure, 120/240V<sub>AC</sub> power supply, and one or two RSS Cores.



1. Modules equipped with Tigo TS4-F (Fire Safety)
2. Tigo RSS Transmitter with Outdoor Kit
3. Inverter

# RSS TRANSMITTER - OUTDOOR KIT

- Meets NEC 690.12 requirements
- Module-level deactivation with TS4-F
- Automatic or manual shutdown
- Weatherproof outdoor enclosure
- Includes one or two RSS Cores
- Includes 120/240V<sub>AC</sub> power supply



RSS Transmitter

Outdoor Enclosure

RSS Core

Installation Example

All dimensions in mm.

## Input

Transmitter Input Voltage: 12V<sub>DC</sub> (+/- 2%)

Transmitter Input Current: 1A

## RSS Core

Max Current (in Outdoor Kit): 100A per RSS Core (Single Core: 100A, Dual Core: 200A)

Max String Voltage: 1500V<sub>DC</sub>

Max Number of Strings per Core: 10

Max Supported PV Modules per String: 30

## Environmental

Operating Temperature Range: -20°C to 50°C (in Outdoor Enclosure)

Enclosure: IP68, NEMA 4

## ORDERING OPTIONS

492-00000-10 Single Core RSS DIN Rail Transmitter Kit, 120/240V<sub>AC</sub> Power Supply, Outdoor Enclosure

492-00000-20 Dual Core RSS DIN Rail Transmitter Kit, 120/240V<sub>AC</sub> Power Supply, Outdoor Enclosure

### For sales info:

[sales@tigoenergy.com](mailto:sales@tigoenergy.com) or 1.408.402.0802

### For technical information:

<http://support.tigoenergy.com>

### For product info:

Visit [www.tigoenergy.com/products](http://www.tigoenergy.com/products)

### For technical info:

<http://support.tigoenergy.com>

For additional info and product selection assistance, use Tigo's online design tool at [www.tigoenergy.com/design](http://www.tigoenergy.com/design)

